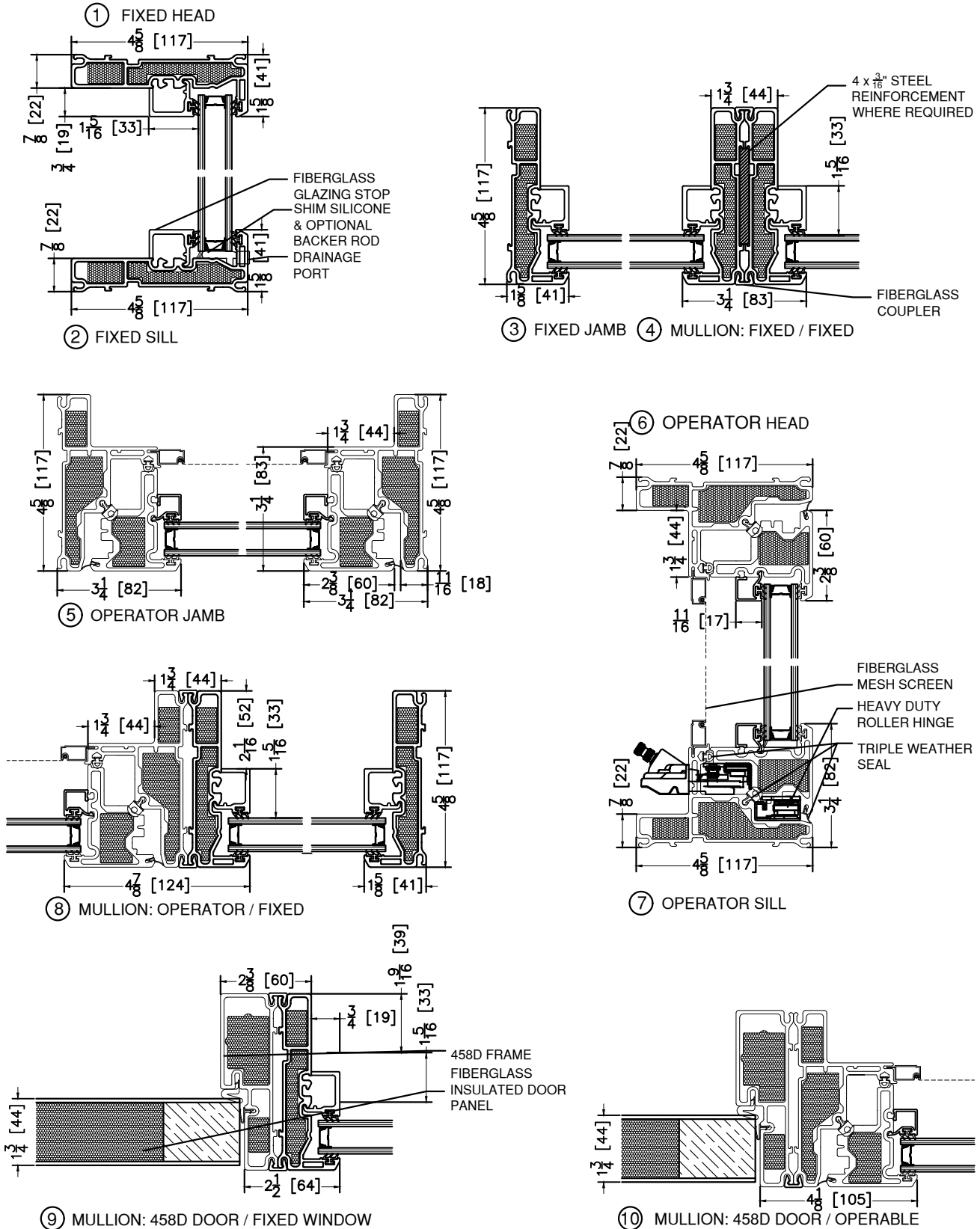




Dual Pane Section Drawings

Rough openings are 1/2" typical all around



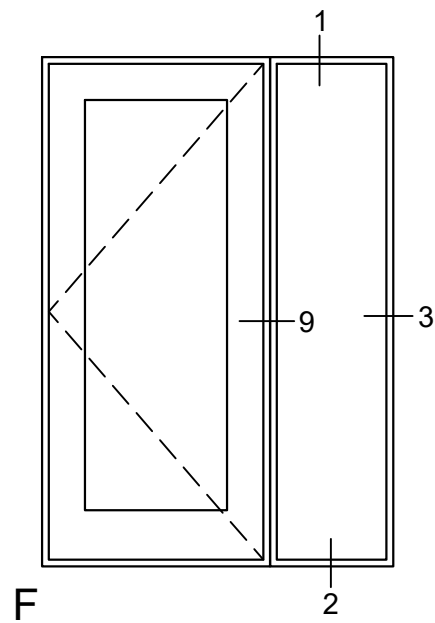
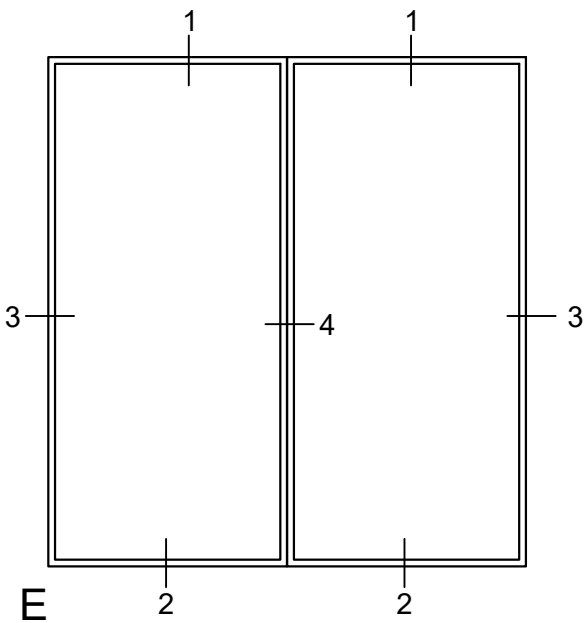
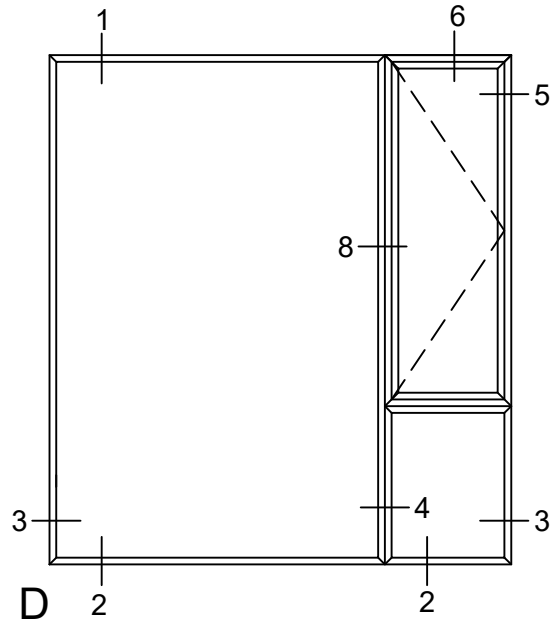
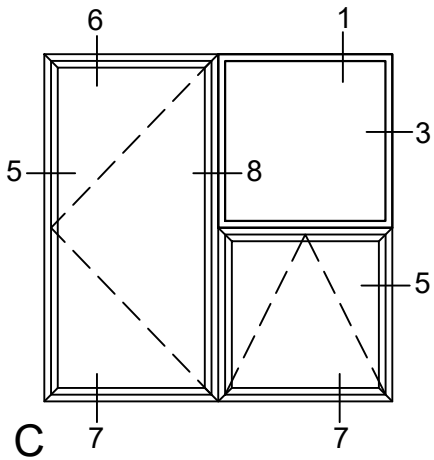
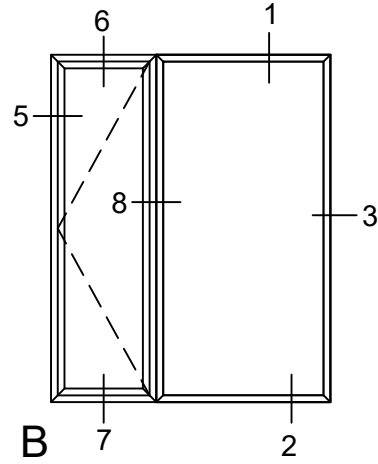
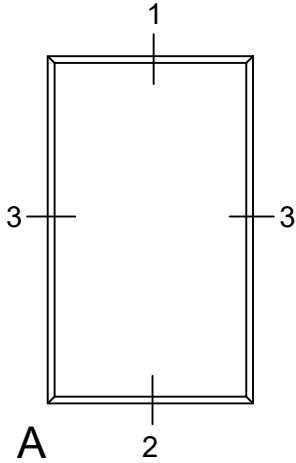


# Series 458 Fiberglass Windows

FiberWall™ Fixed, Casement and Awning

45 Higgins Ave.  
Winnipeg MB R3B 0A8  
Tel. 1-204-339-6456  
Fax 1-204-334-1800  
www.duxtonwindows.com

## Typical Elevations





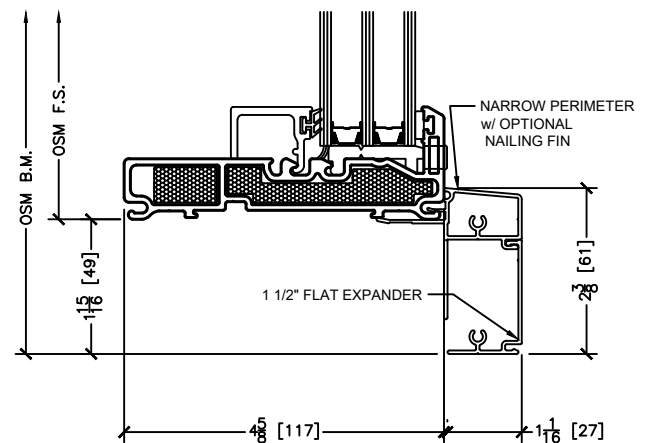
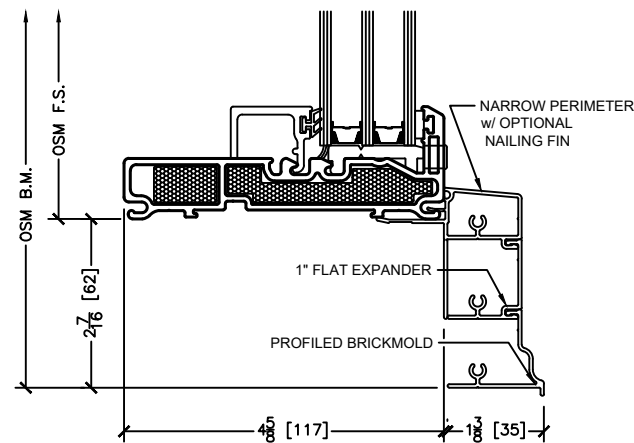
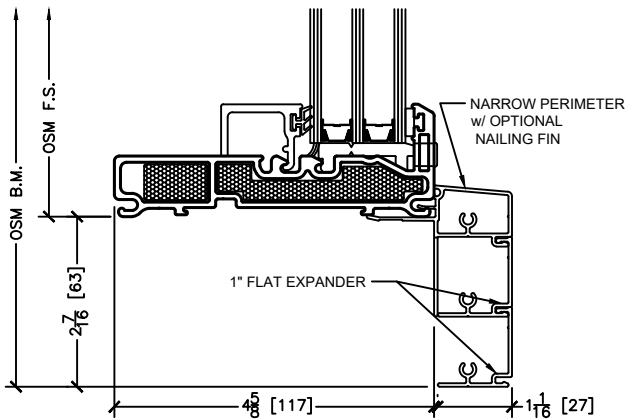
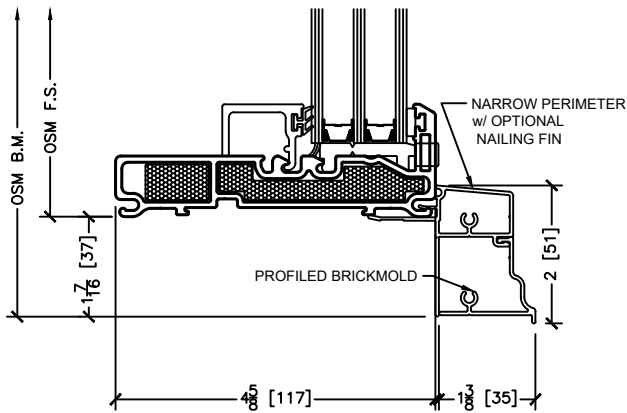
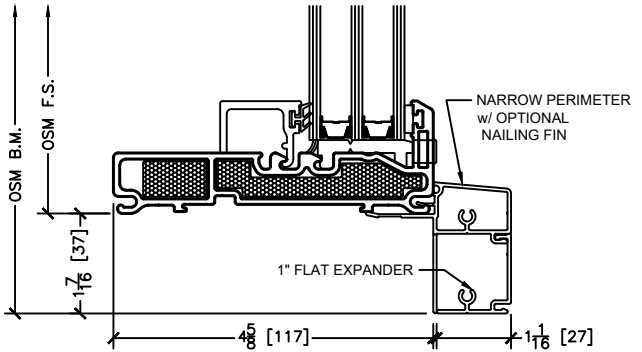
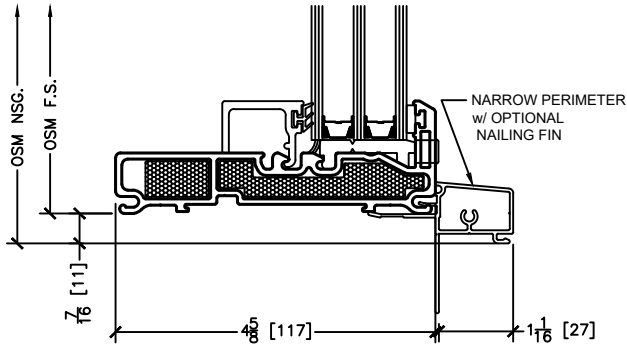
# Series 458 Fiberglass Windows

FiberWall™ Fixed, Casement and Awning

45 Higgins Ave.  
Winnipeg MB R3B 0A8  
Tel. 1-204-339-6456  
Fax 1-204-334-1800  
www.duxtonwindows.com

## Triple Pane Narrow Perimeter w/ Brickmold Options

Rough openings are 1/2" typical all around





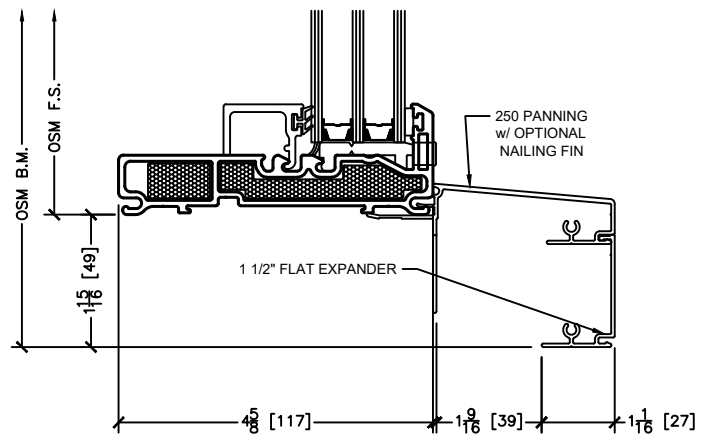
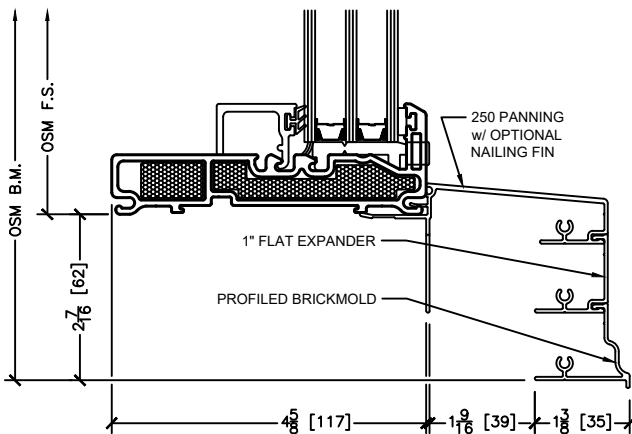
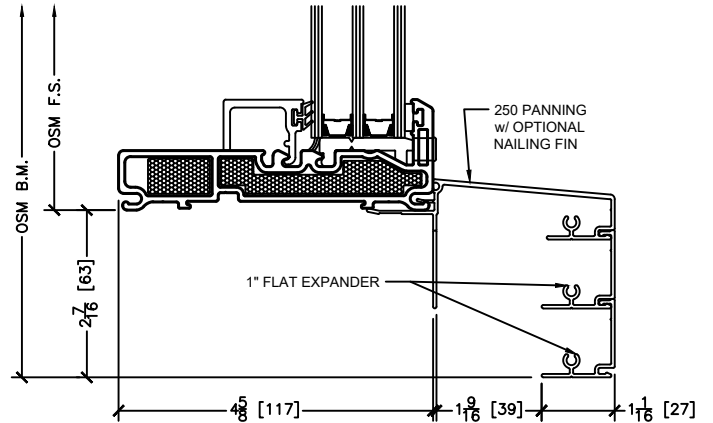
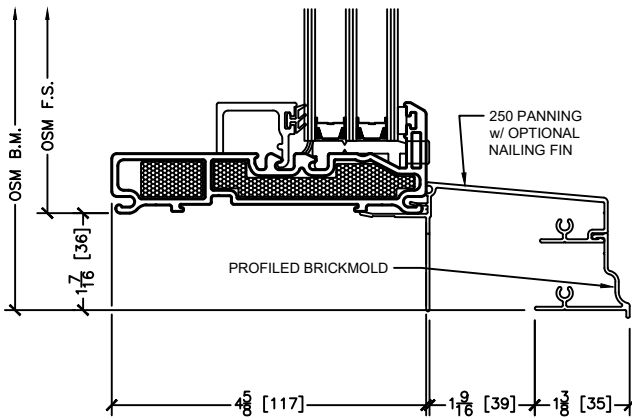
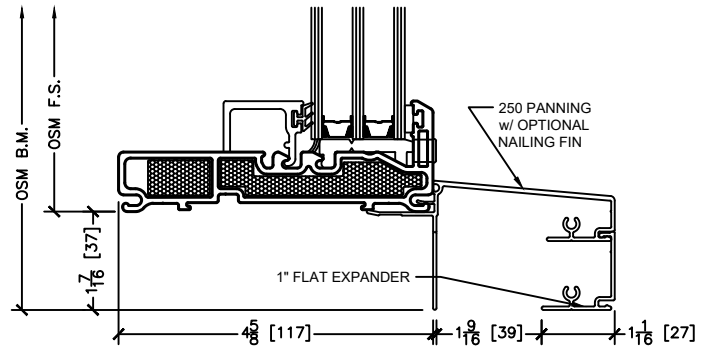
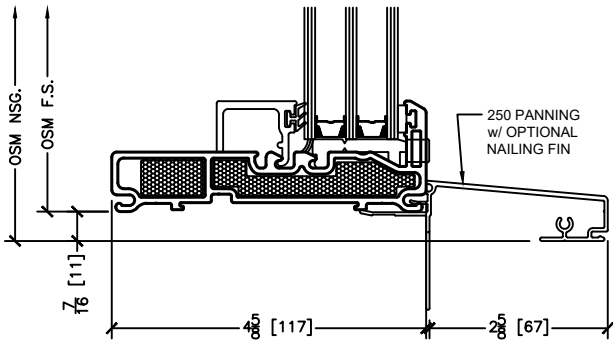
# Series 458 Fiberglass Windows

FiberWall™ Fixed, Casement and Awning

45 Higgins Ave.  
Winnipeg MB R3B 0A8  
Tel. 1-204-339-6456  
Fax 1-204-334-1800  
www.duxtonwindows.com

## Triple Pane 250 Panning Perimeter w/ Brickmold Options

Rough openings are 1/2" typical all around





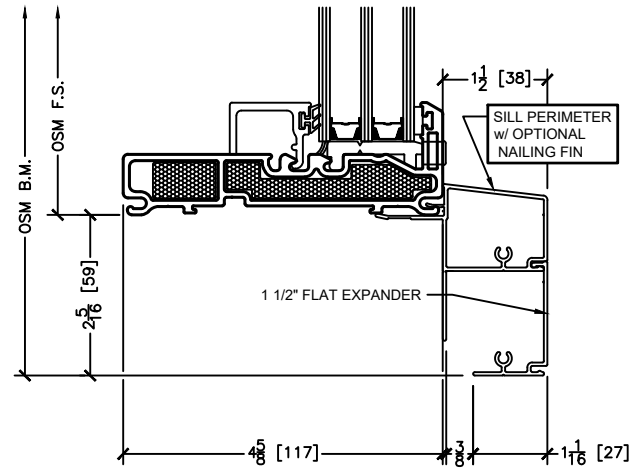
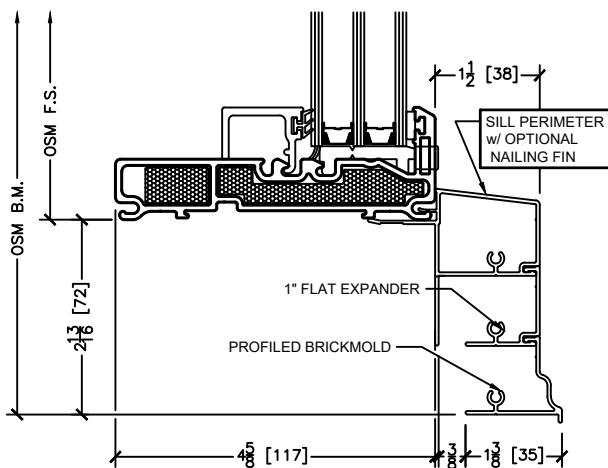
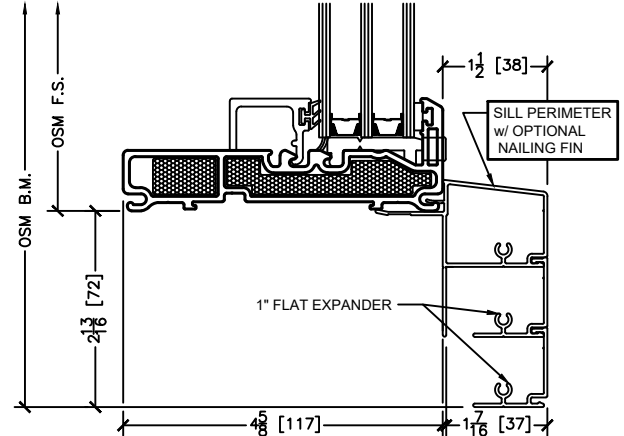
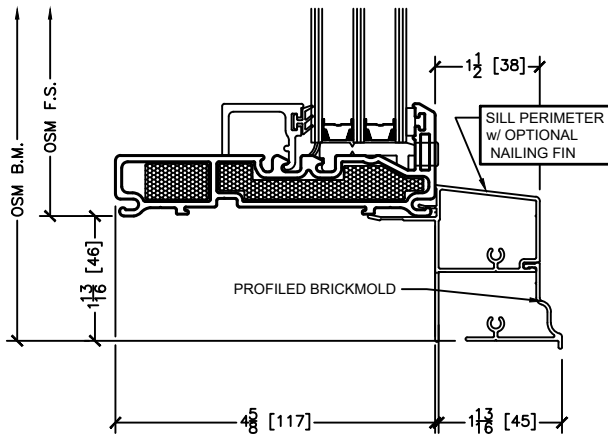
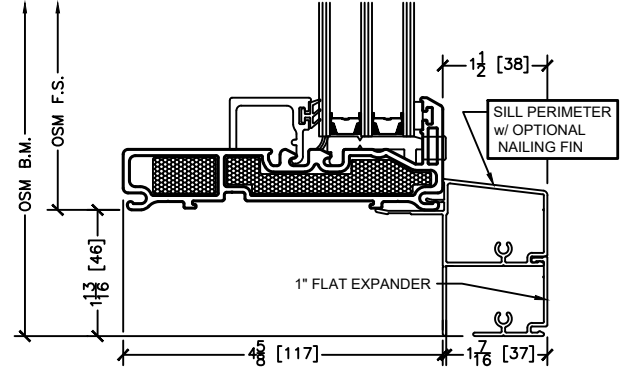
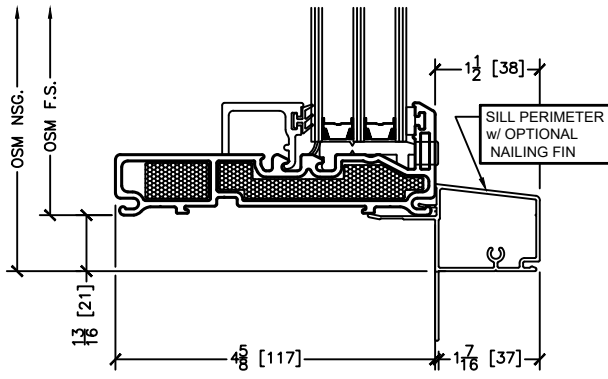
# Series 458 Fiberglass Windows

FiberWall™ Fixed, Casement and Awning

45 Higgins Ave.  
Winnipeg MB R3B 0A8  
Tel. 1-204-339-6456  
Fax 1-204-334-1800  
www.duxtonwindows.com

## Triple Pane Sill Perimeter w/ Brickmold Options

Rough openings are 1/2" typical all around





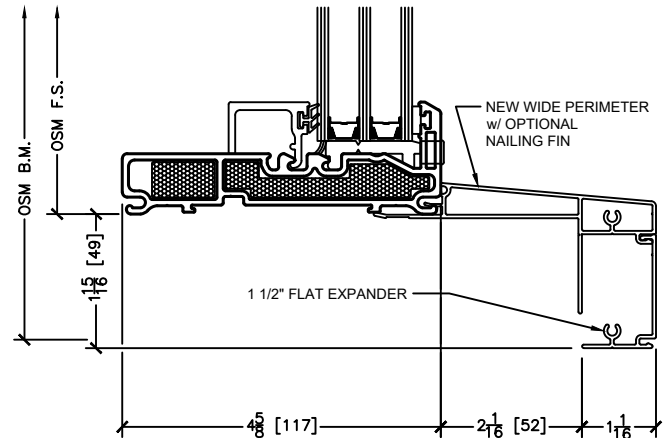
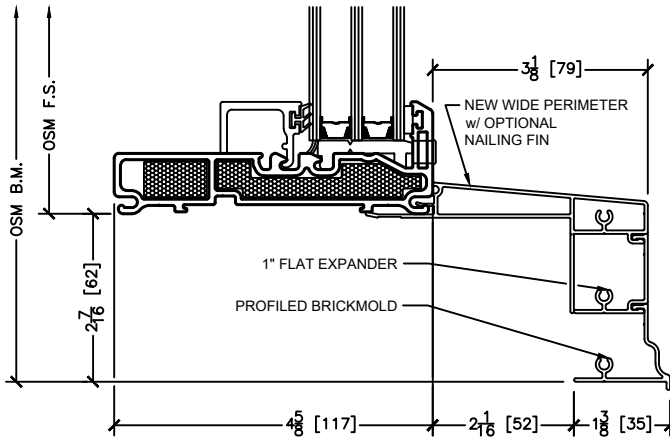
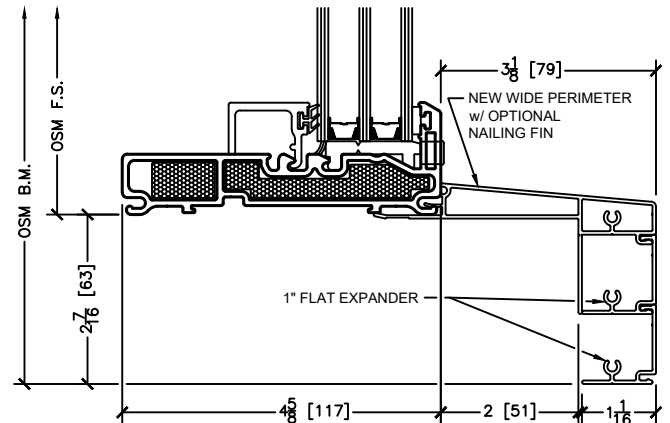
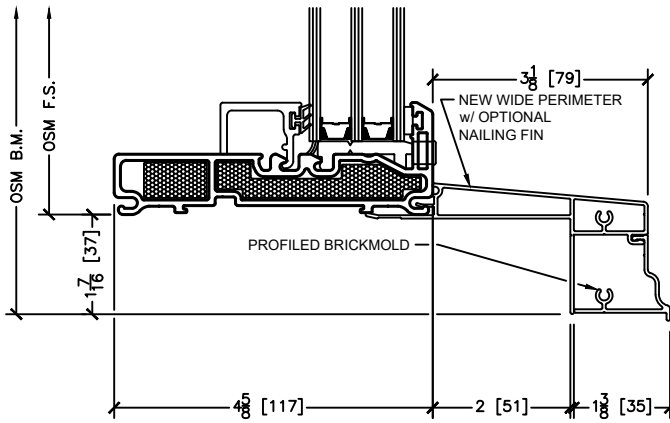
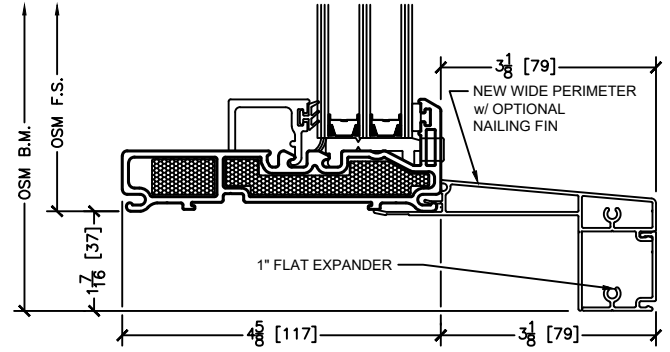
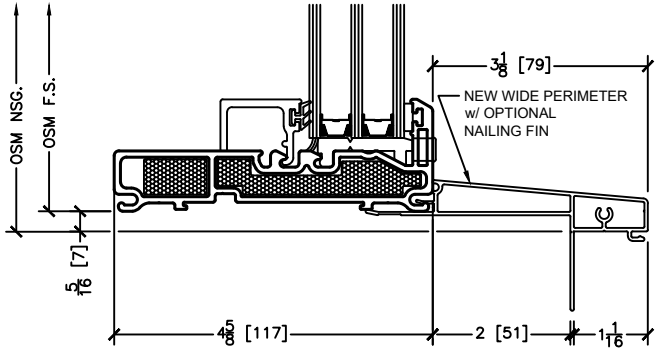
# Series 458 Fiberglass Windows

FiberWall™ Fixed, Casement and Awning

45 Higgins Ave.  
Winnipeg MB R3B 0A8  
Tel. 1-204-339-6456  
Fax 1-204-334-1800  
www.duxtonwindows.com

## Triple Pane New Wide Perimeter w/ Brickmold Options

Rough openings are 1/2" typical all around





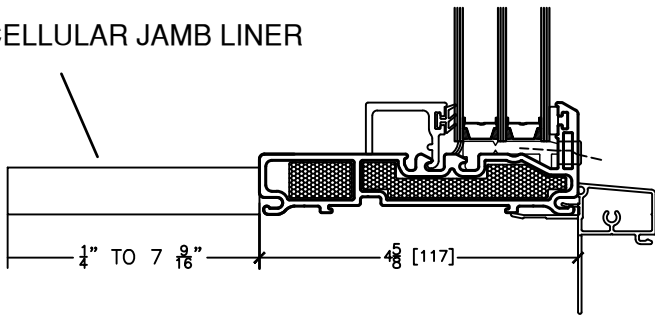
# Series 458 Fiberglass Windows

FiberWall™ Fixed, Casement and Awning

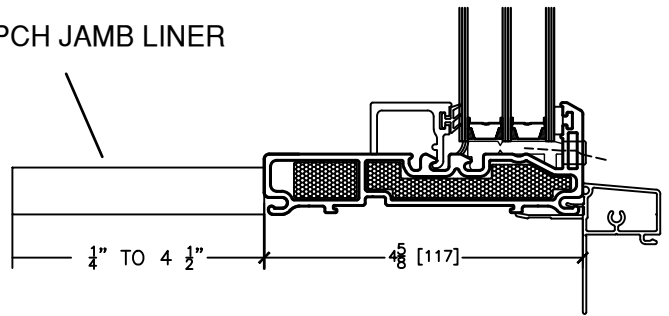
45 Higgins Ave.  
Winnipeg MB R3B 0A8  
Tel. 1-204-339-6456  
Fax 1-204-334-1800  
www.duxtonwindows.com

## Jamb & Interior Options

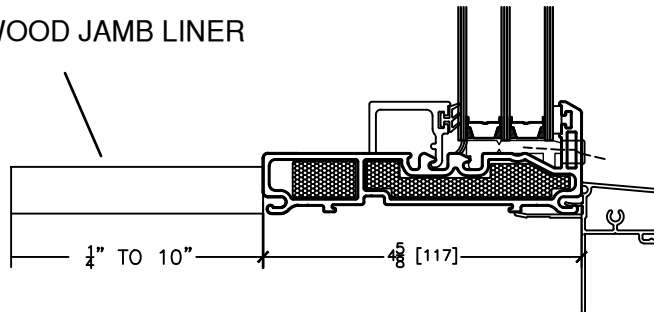
CELLULAR JAMB LINER



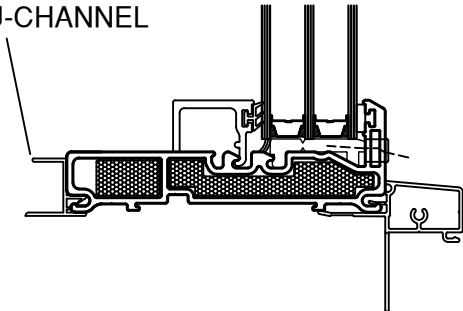
PCH JAMB LINER



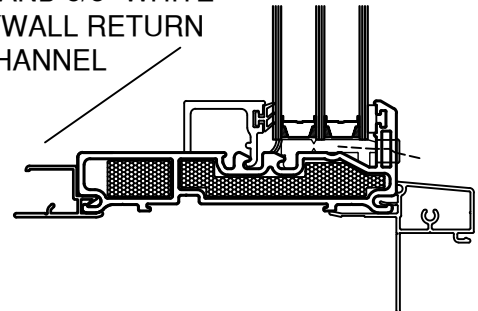
OTHER WOOD JAMB LINER



3/4" WHITE  
DRYWALL RETURN  
U-CHANNEL



NEW DUAL PURPOSE  
1/2" AND 5/8" WHITE  
DRYWALL RETURN  
U-CHANNEL





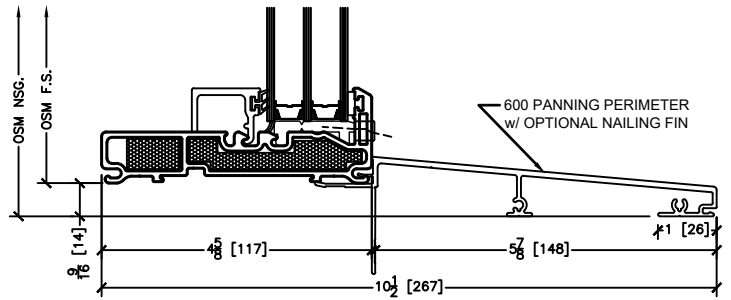
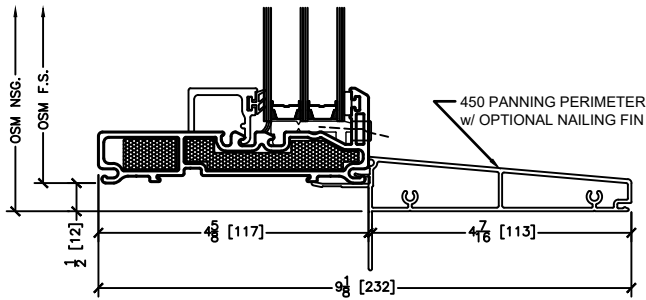
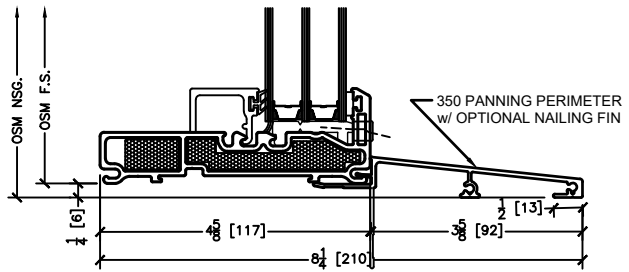
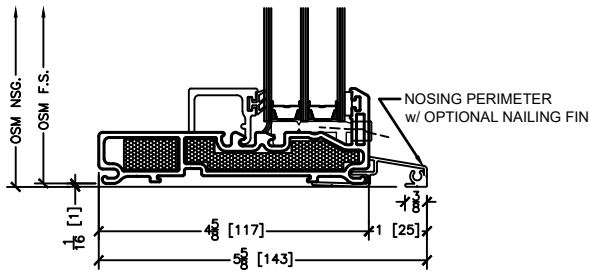


**Series 458 Fiberglass Windows**  
FiberWall™ Fixed, Casement and Awning

45 Higgins Ave.  
Winnipeg MB R3B 0A8  
Tel. 1-204-339-6456  
Fax 1-204-334-1800  
www.duxtonwindows.com

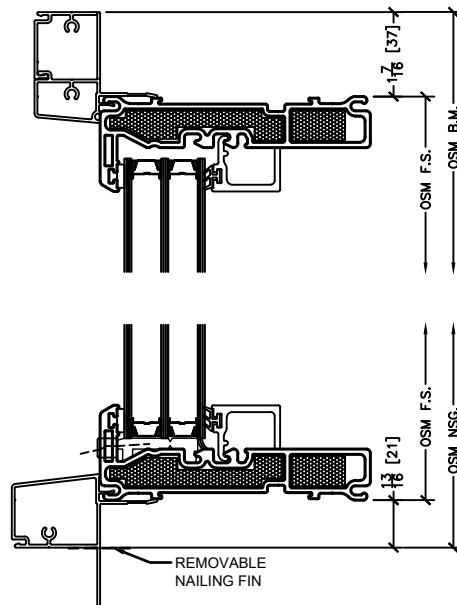
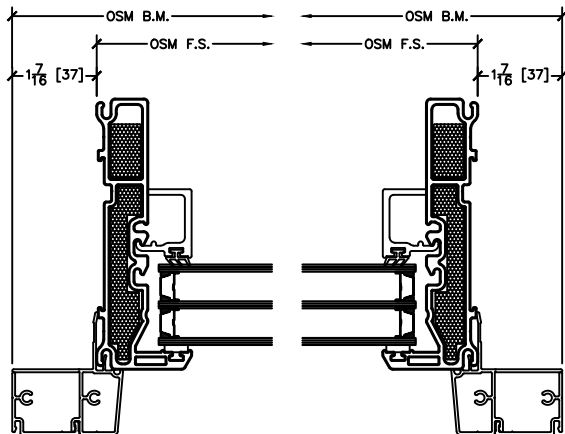
Other Perimeter Options

Rough openings are 1/2" typical all around



NARROW PERIMETER w/ SILL

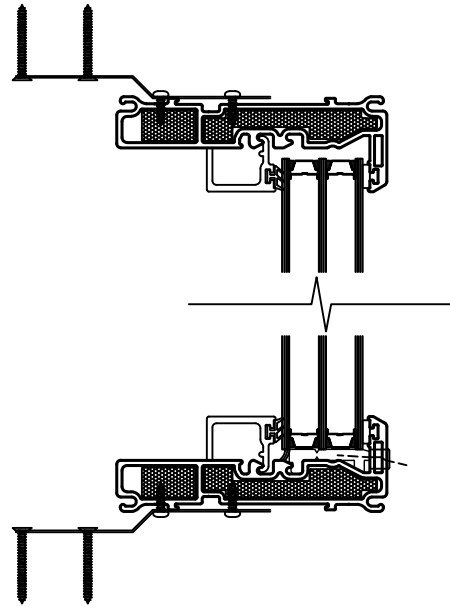
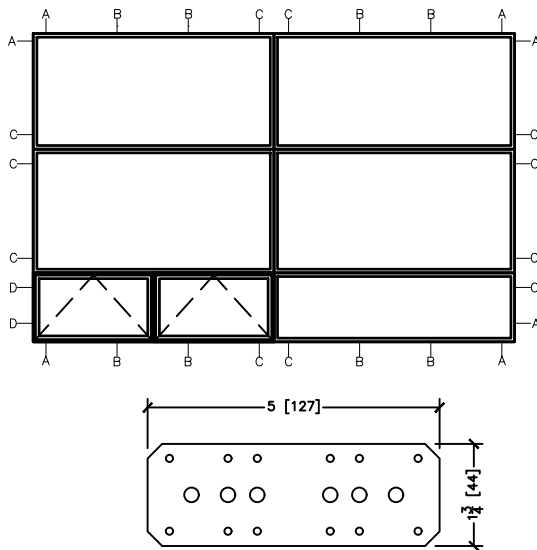
NARROW PERIMETER WITH 1" FLAT EXPANDER  
(HEAD/JAMB)  
SILL ON BOTTOM, NAILING FLANGE REMOVED ON SITE  
USED IN CONJUNCTION TO REPLACE WOOD WINDOWS  
WITH A SILL DETAIL





## Installation Clips

- A. CORNER ANCHORS – SECURE APPROXIMATELY 4” FROM THE CORNERS
- B. PERIMETER ANCHORS – SPACING SHOULD NOT EXCEED 24” APART CENTER TO CENTER
- C. MULLION AND TRANSOM ANCHORS – ALWAYS ANCHOR WITHIN 4” OF MULLION OR TRANSOM





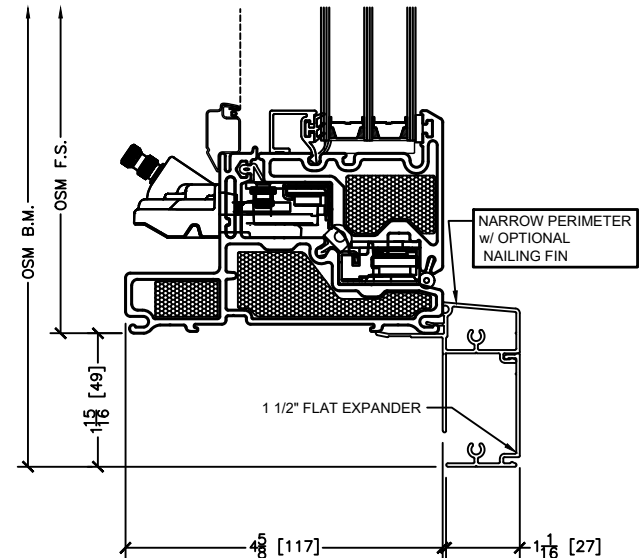
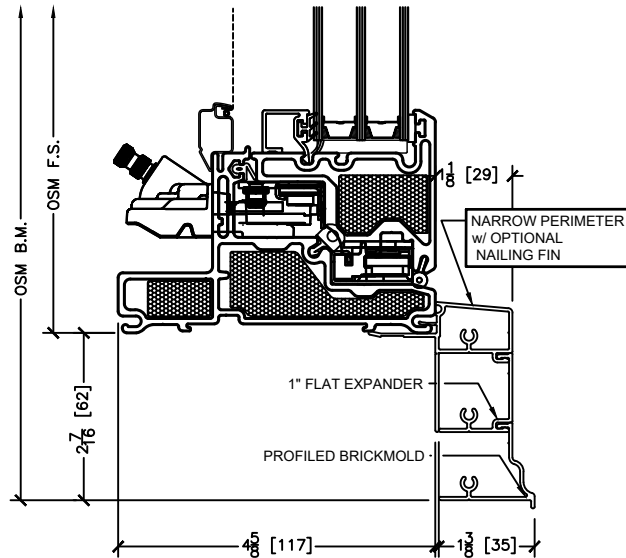
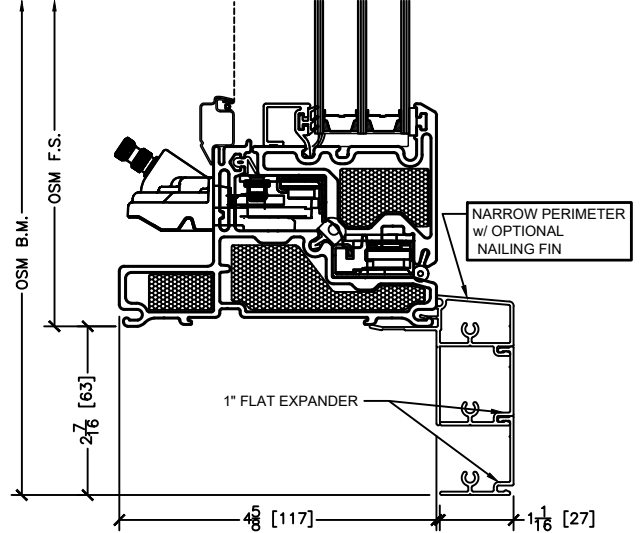
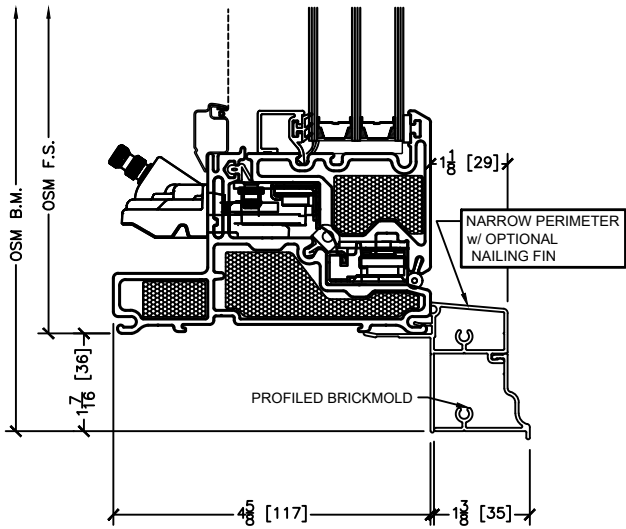
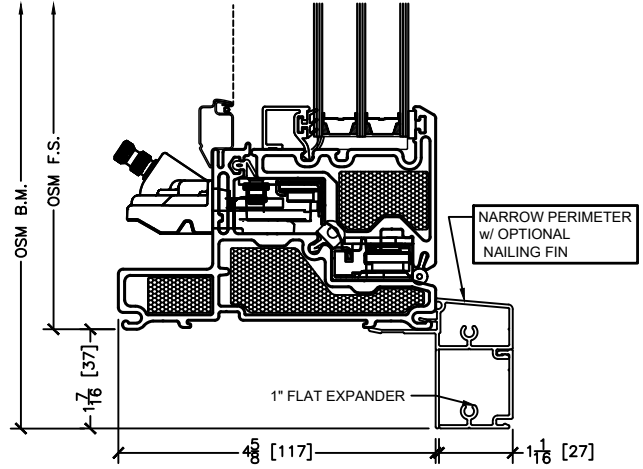
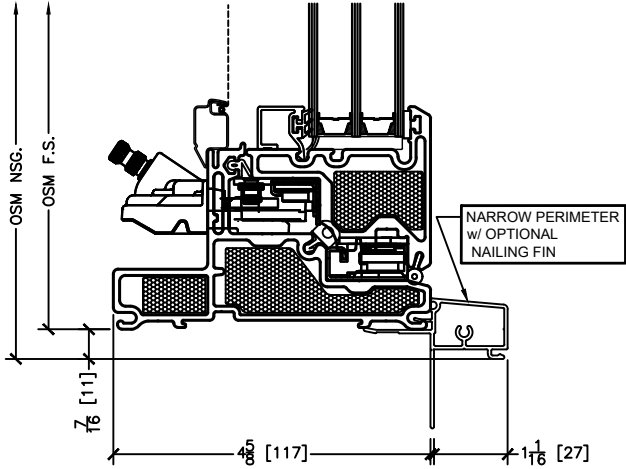
# Series 458 Fiberglass Windows

FiberWall™ Fixed, Casement and Awning

45 Higgins Ave.  
Winnipeg MB R3B 0A8  
Tel. 1-204-339-6456  
Fax 1-204-334-1800  
www.duxtonwindows.com

## Triple Pane Narrow Perimeter w/ Brickmold Options

Rough openings are 1/2" typical all around





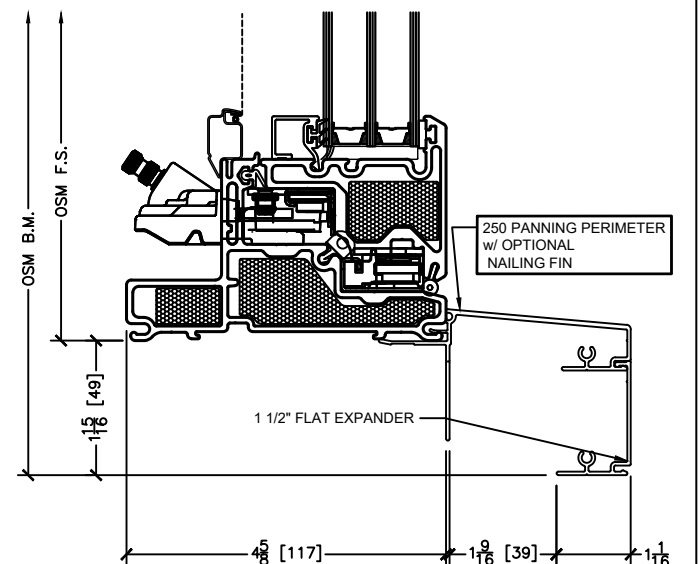
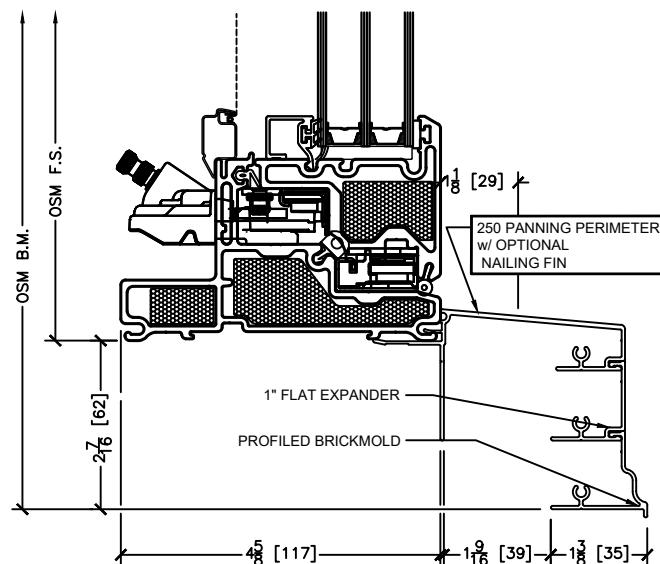
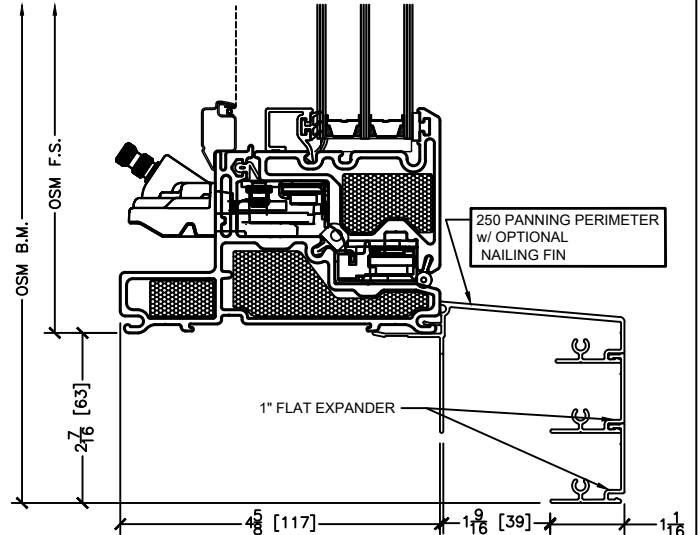
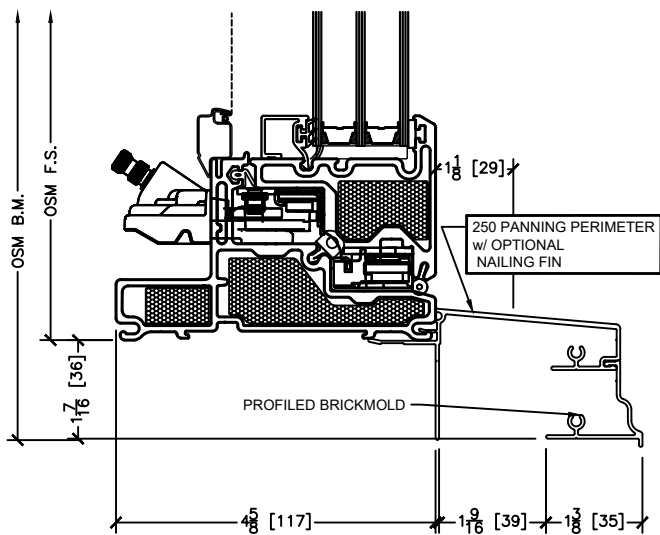
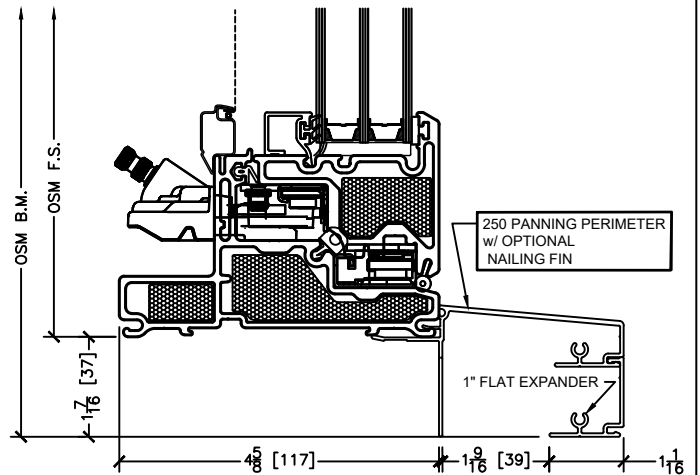
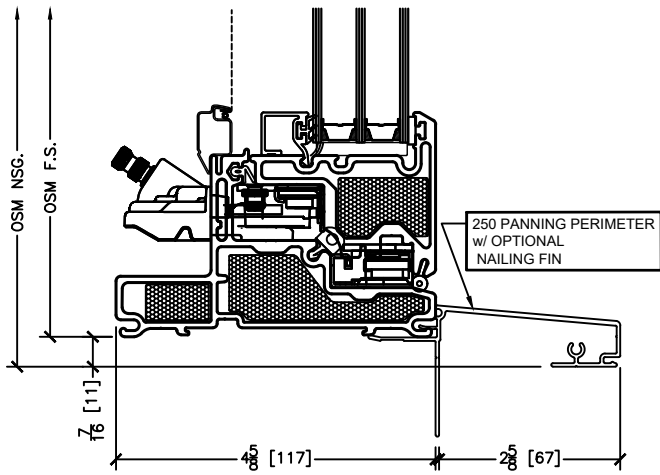
# Series 458 Fiberglass Windows

FiberWall™ Fixed, Casement and Awning

45 Higgins Ave.  
Winnipeg MB R3B 0A8  
Tel. 1-204-339-6456  
Fax 1-204-334-1800  
www.duxtonwindows.com

## Triple Pane 250 Panning Perimeter w/ Brickmold Options

Rough openings are 1/2" typical all around





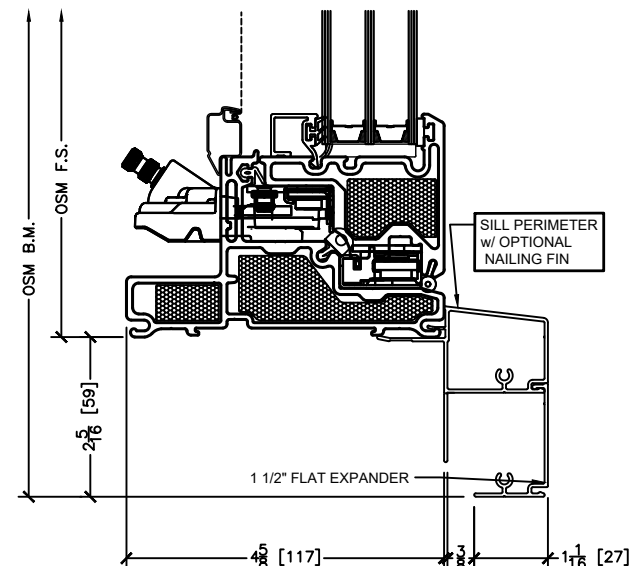
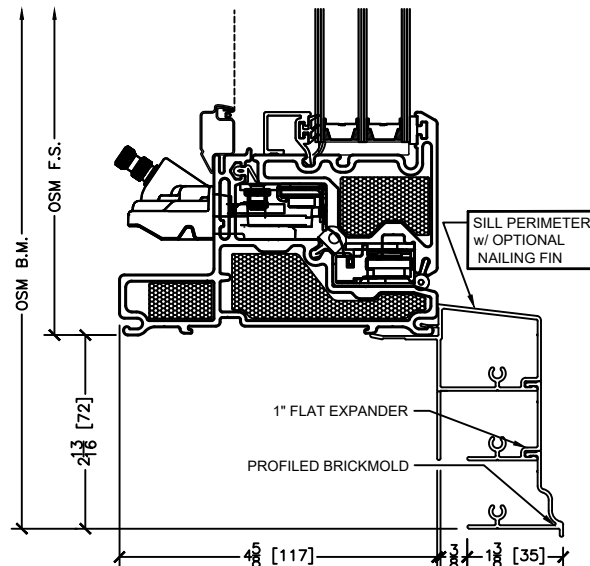
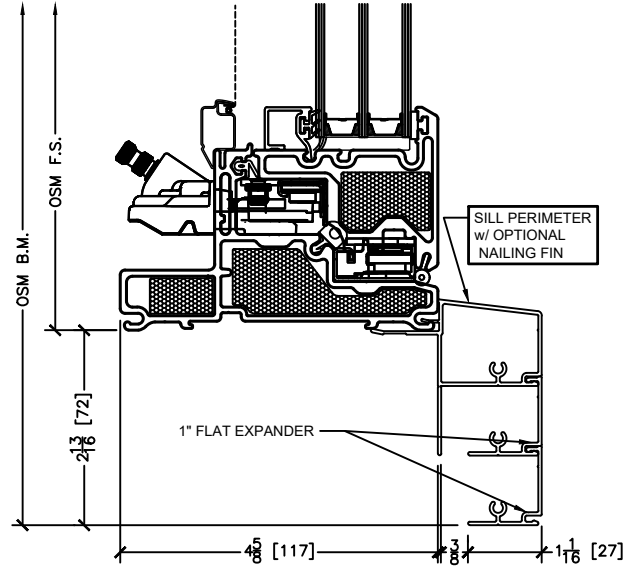
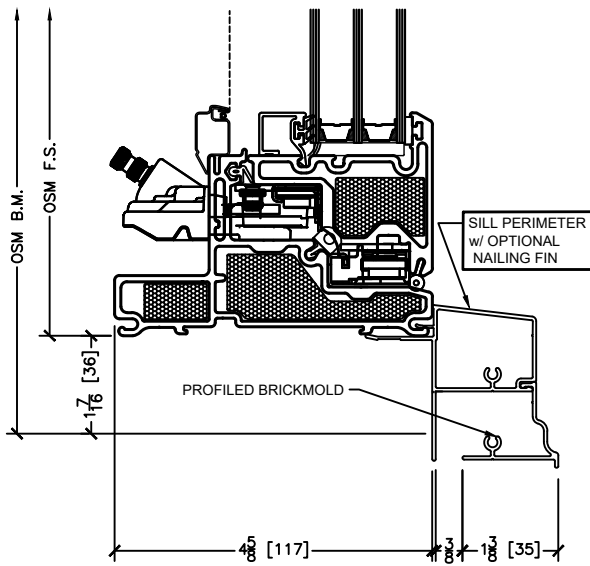
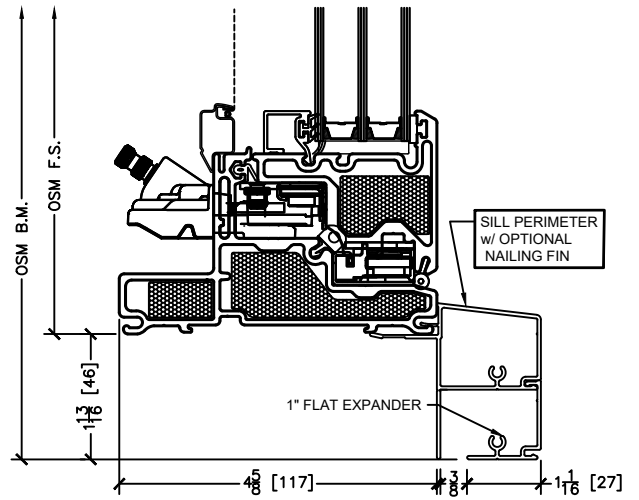
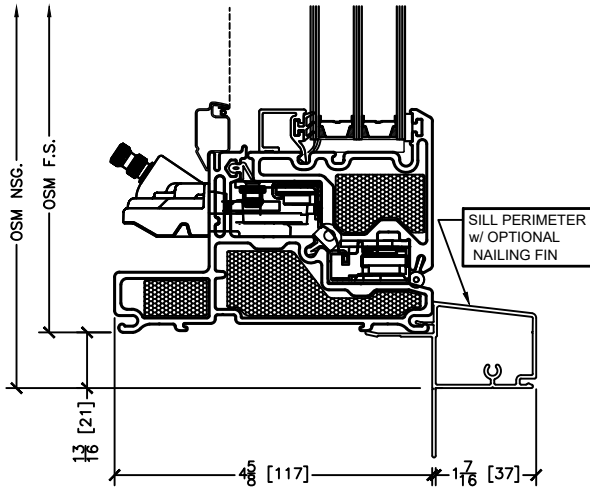
# Series 458 Fiberglass Windows

FiberWall™ Fixed, Casement and Awning

45 Higgins Ave.  
Winnipeg MB R3B 0A8  
Tel. 1-204-339-6456  
Fax 1-204-334-1800  
www.duxtonwindows.com

## Triple Pane Sill Perimeter w/ Brickmold Options

Rough openings are 1/2" typical all around





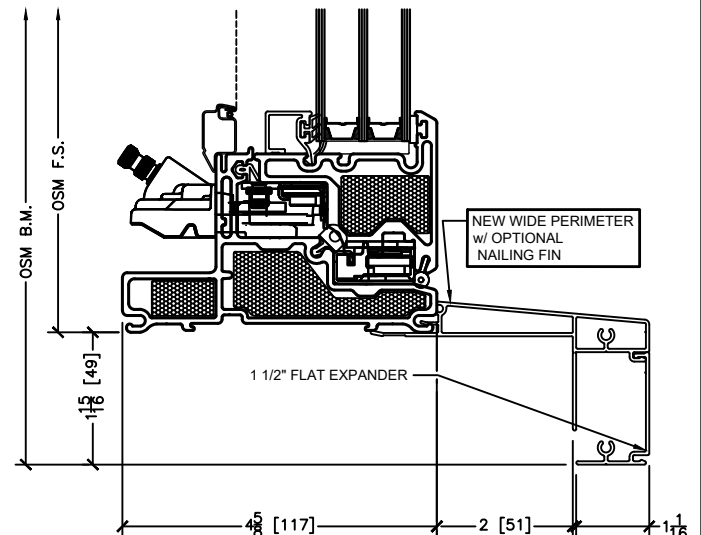
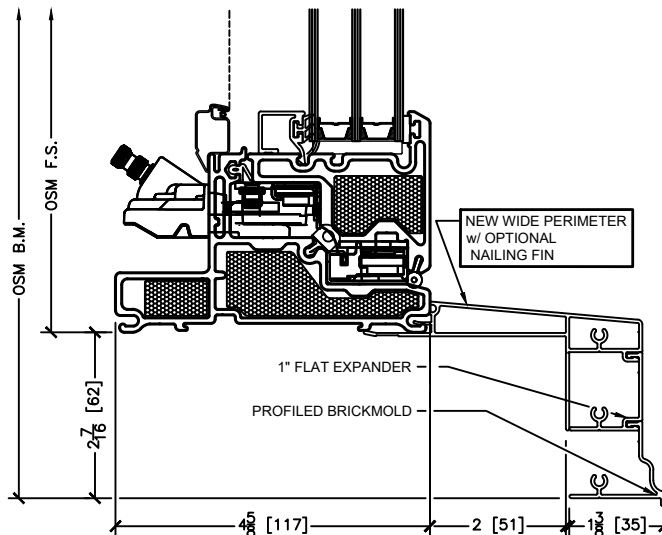
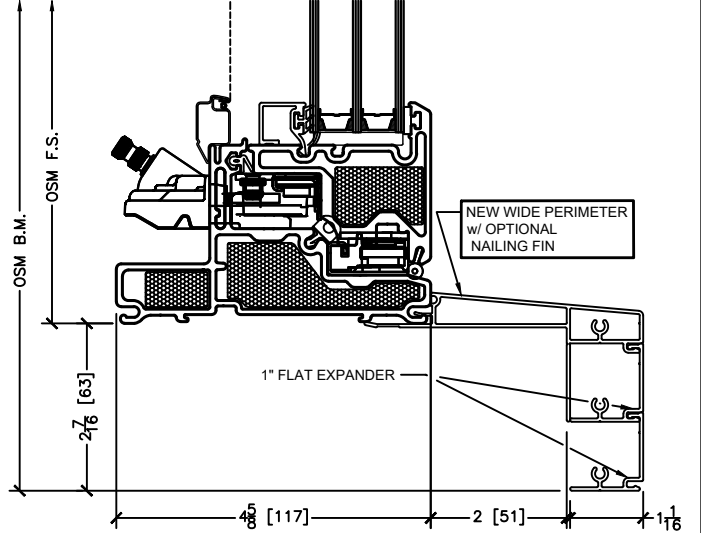
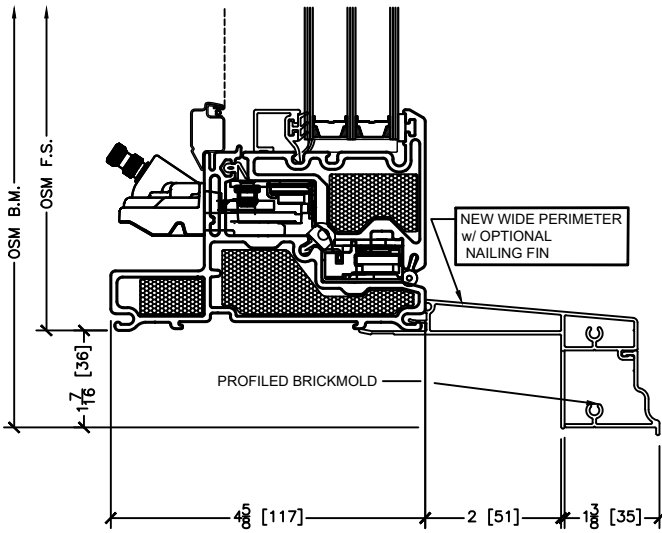
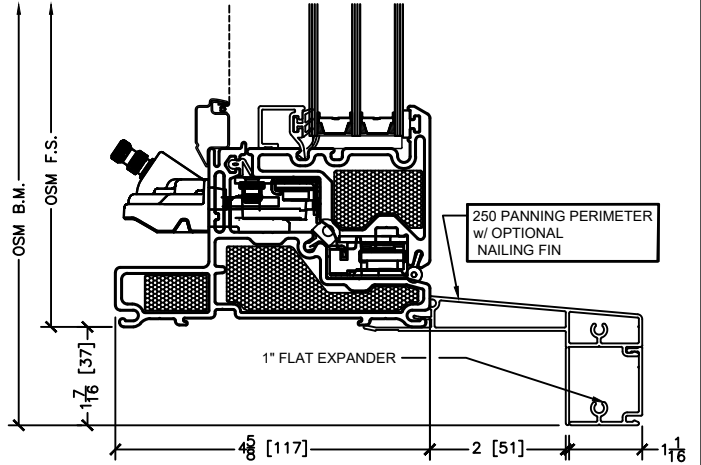
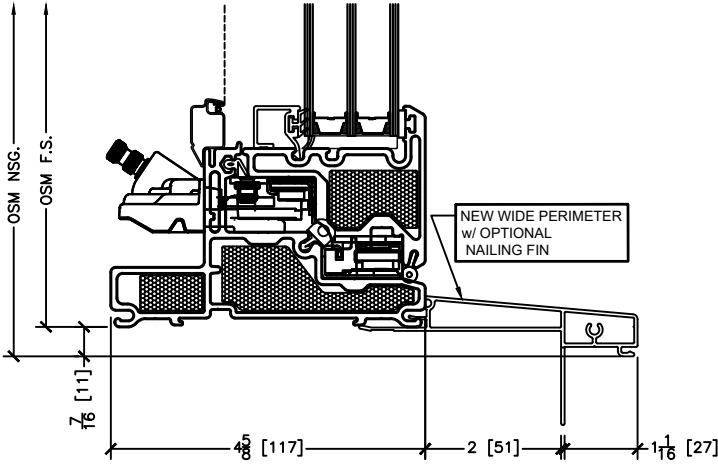
# Series 458 Fiberglass Windows

FiberWall™ Fixed, Casement and Awning

45 Higgins Ave.  
Winnipeg MB R3B 0A8  
Tel. 1-204-339-6456  
Fax 1-204-334-1800  
www.duxtonwindows.com

## Triple Pane New Wide Perimeter w/ Brickmold Options

Rough openings are 1/2" typical all around





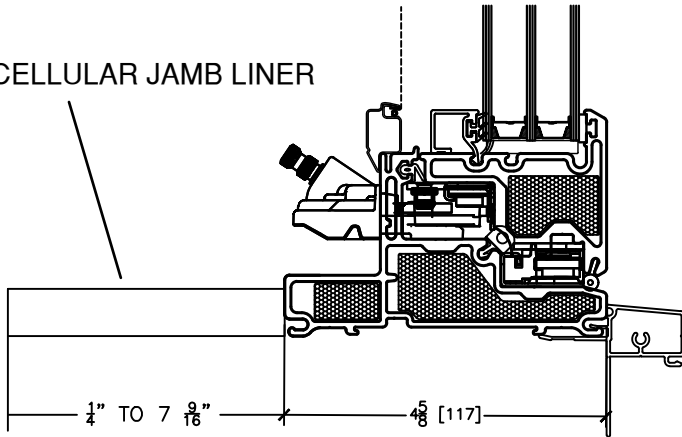
# Series 458 Fiberglass Windows

FiberWall™ Fixed, Casement and Awning

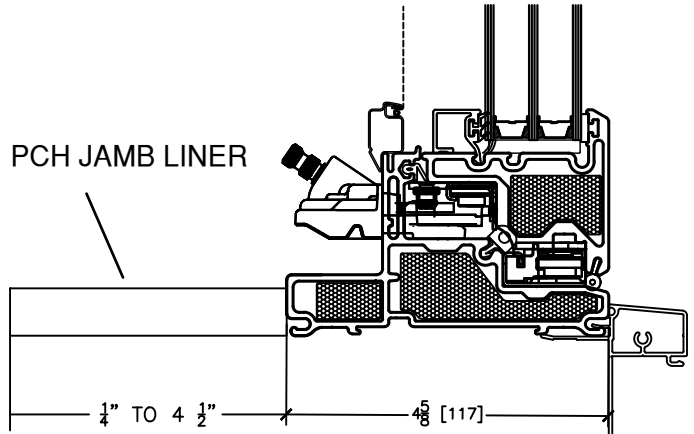
45 Higgins Ave.  
Winnipeg MB R3B 0A8  
Tel. 1-204-339-6456  
Fax 1-204-334-1800  
www.duxtonwindows.com

## Jamb & Interior Options

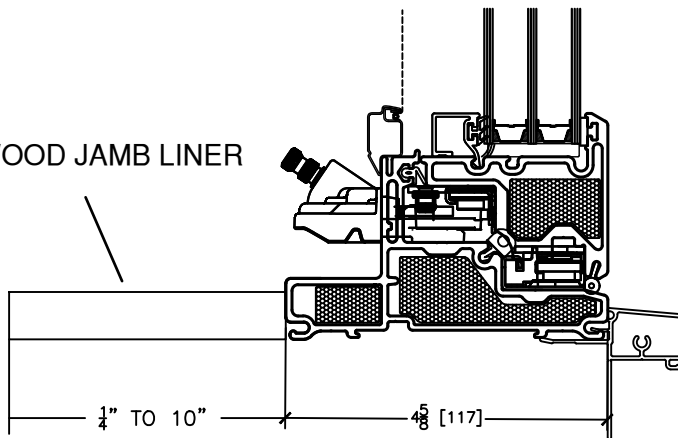
CELLULAR JAMB LINER



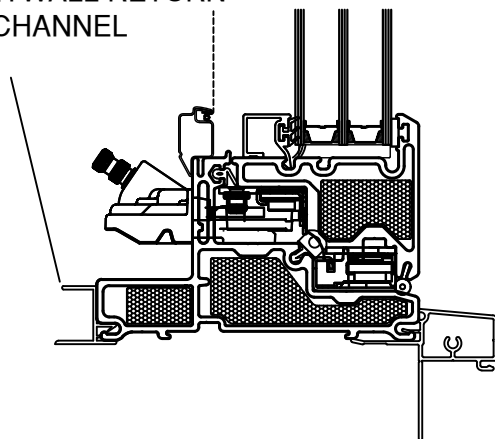
PCH JAMB LINER



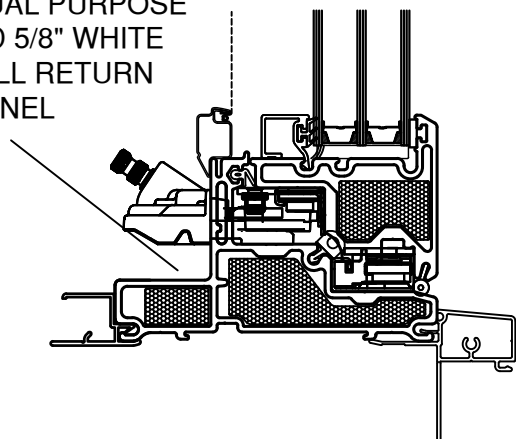
OTHER WOOD JAMB LINER



3/4" WHITE  
DRYWALL RETURN  
U-CHANNEL



NEW DUAL PURPOSE  
1/2" AND 5/8" WHITE  
DRYWALL RETURN  
U-CHANNEL





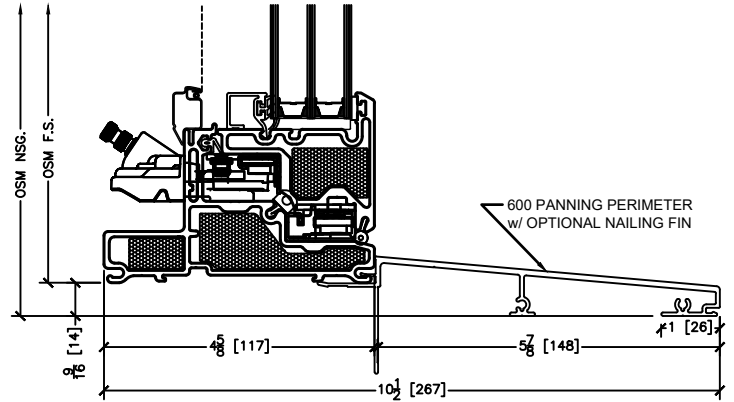
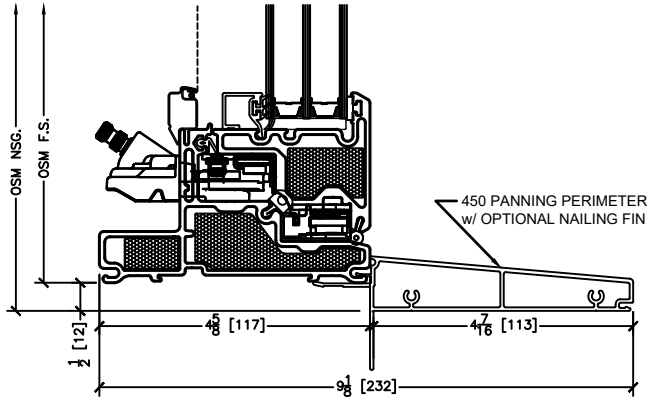
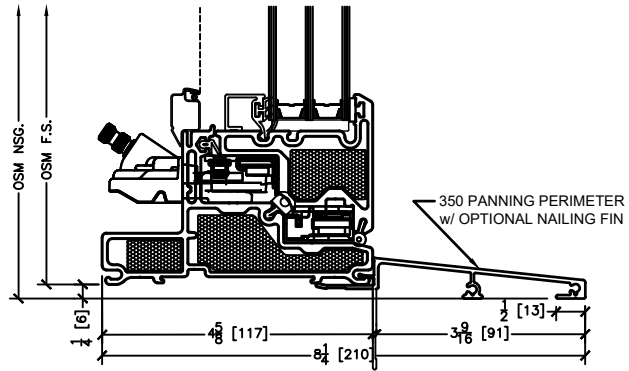
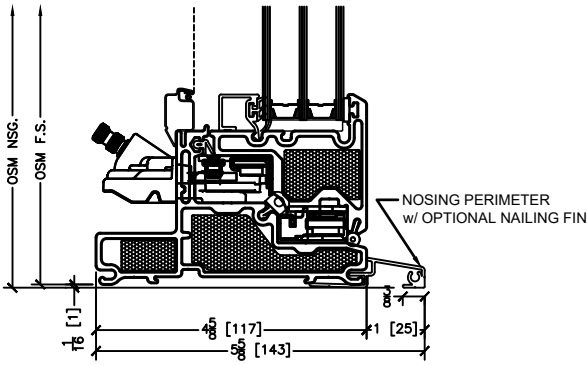
# Series 458 Fiberglass Windows

FiberWall™ Fixed, Casement and Awning

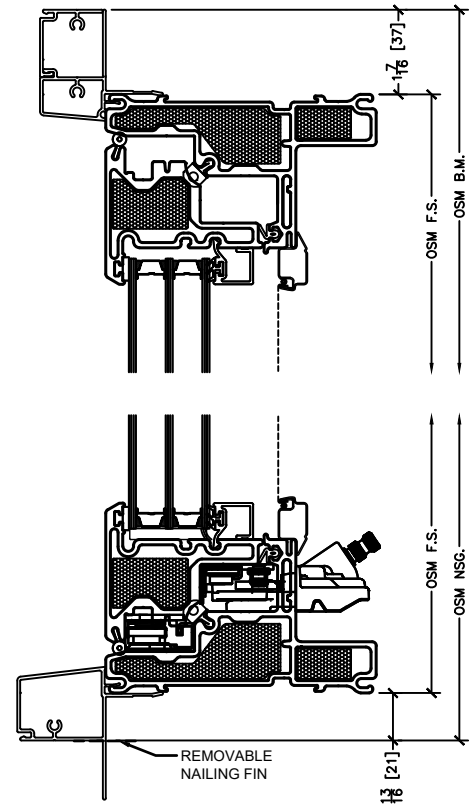
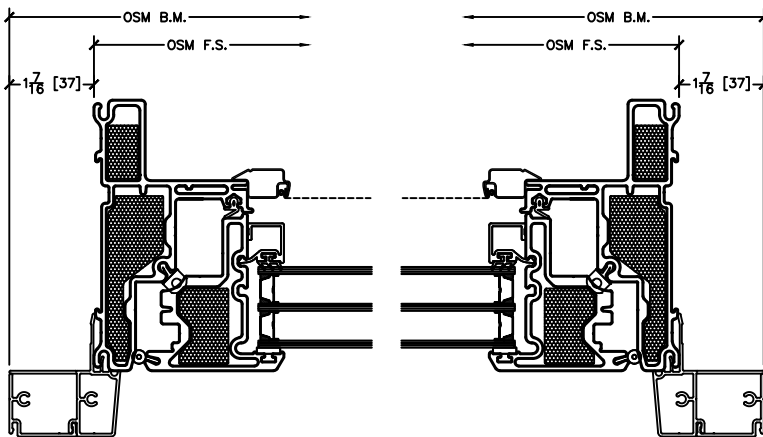
45 Higgins Ave.  
 Winnipeg MB R3B 0A8  
 Tel. 1-204-339-6456  
 Fax 1-204-334-1800  
 www.duxtonwindows.com

## Other Perimeter Options

Rough openings are 1/2" typical all around



**NARROW PERIMETER w/ SILL**  
 NARROW PERIMETER WITH 1" FLAT EXPANDER  
 (HEAD/JAMB)  
 SILL ON BOTTOM, NAILING FLANGE REMOVED ON SITE  
 USED IN CONJUNCTION TO REPLACE WOOD WINDOWS  
 WITH A SILL DETAIL







# Series 458 Fiberglass Windows

FiberWall™ Fixed, Casement and Awning

45 Higgins Ave.  
Winnipeg MB R3B 0A8  
Tel. 1-204-339-6456  
Fax 1-204-334-1800  
www.duxtonwindows.com

## Installation Clip

- A. CORNER ANCHORS – SECURE APPROXIMATELY 4” FROM THE CORNERS
- B. PERIMETER ANCHORS – SPACING SHOULD NOT EXCEED 24” APART CENTER TO CENTER
- C. MULLION AND TRANSOM ANCHORS – ALWAYS ANCHOR WITHIN 4” OF MULLION OR TRANSOM

